

Single Port RJ45 Connector
With 10/100 Base-T Magnetics Module

1. Electrical Specifications: @25°C

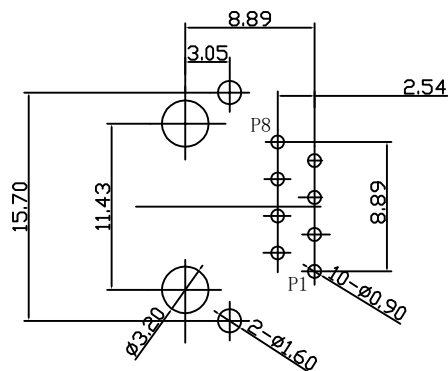
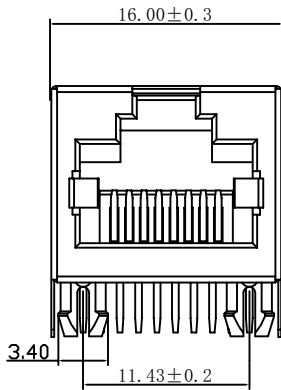
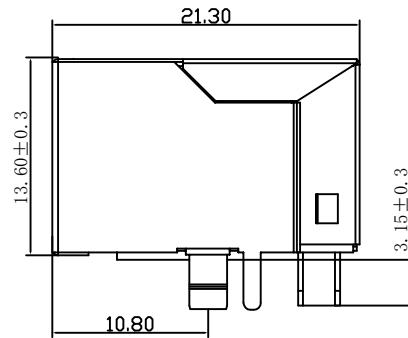
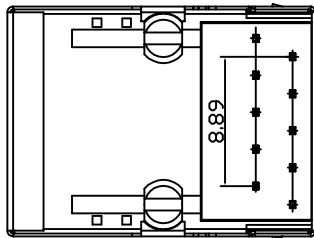
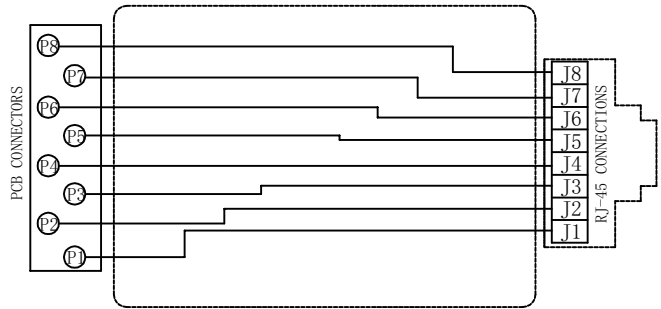
- 1.1. Operating Voltage: 125V
- 1.2. Isolation Voltage: 1000V/AC
- 1.3. DCR: 1.0 Ω Maximum

2. Operating and Storage Temperature:

- 2.1. Operating Temperature: -40°C to +85°C
- 2.2. Storage Temperature: -40°C to +85°C

4. Mechanical Dimensions:

3. Schematics:



P. C. B RECOMMENDED HOLE LAYOUT SEEN FROM COMPONENT SIDE.
ALL CENTERLINE DIMENSIONS ARE BASIC

- 1. Connector Material:
Housing: PA66 UL94 V-0
Contact/Shield: Cooper alloy
Shield Plating: Nickel
Contact Plating: Selective gold 6 μ Min
- 2. Tolerances comply with F.C.C dimension requirements
- 3. Durability: 800 mating Min

Dimensions in mm

Unless otherwise specified, Tolerance: .XX ± 0.25